

## 316L Stainless Steel T&P Relief Valve

Designed for hot RO/DI water

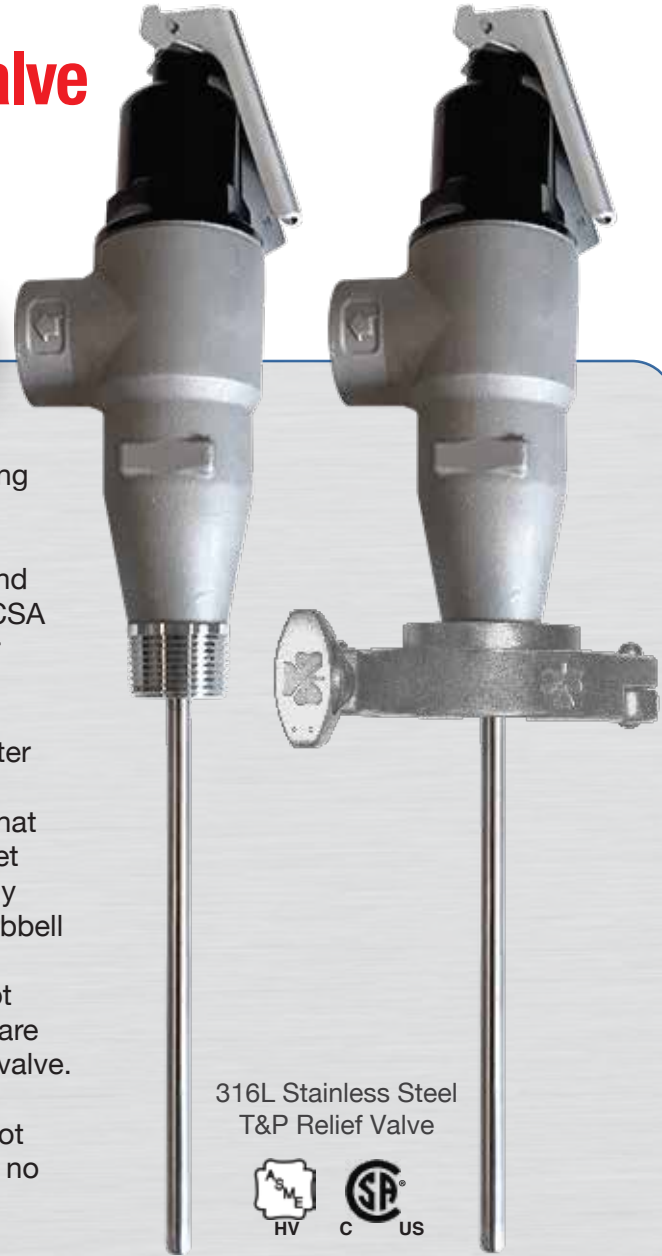
### Hubbell SS T&P Relief Valve

With an innovative spirit, Hubbell announces another game-changing product!

The industry's first 316L stainless steel combination temperature and pressure (T&P) relief valve that's ASME stamped, ANSI approved, CSA certified, and specifically designed for use in ultrapure RO/DI water heating systems.

In the past, options for T&P relief valves suited for use in RO/DI water heating systems were non-existent; until now! The majority of hot RO/DI systems in operation use a brass pressure-only relief valve that lacks temperature relieving capability, easily corrodes, may not meet ASME standards or local plumbing installation codes, and ultimately jeopardizes the integrity of the RO/DI system. With this in mind, Hubbell is proud to introduce the only stainless steel T&P relief valve with all 316L stainless steel metallic parts, for improved safety of any hot RO/DI water heating system. This ensures water purity and quality are not compromised, and years of service are added to the life of the valve.

Finally, you can specify and install a T&P relief valve designed for hot RO/DI water which eliminates any questions or concerns and adds no contaminants...a Pure winner!



316L Stainless Steel  
T&P Relief Valve



*Note: Available Threaded and Non-Threaded (Tri-Clamp)*

#### Product Features

- ✓ Tri-clamp option available
- ✓ 316L Stainless steel construction
- ✓ Corrosion resistant (indoor & outdoor applications)
- ✓ Temperature sensing element relieves at 210°F
- ✓ Pressure relief at 150psi
- ✓ ASME section IV, HV stamped
- ✓ ANSI Z21.22 / CSA 4.4, CRN approved

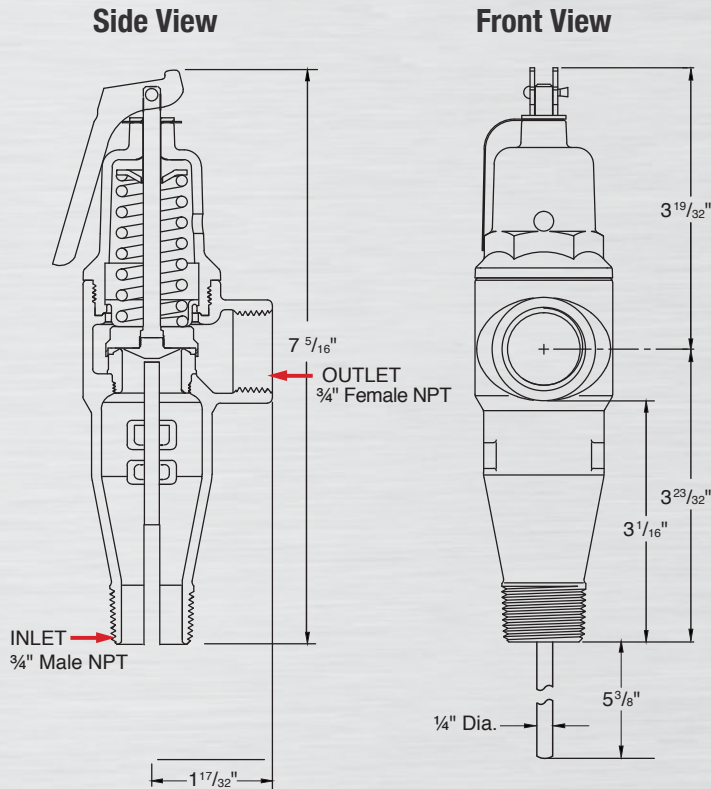
#### Applications

- Hot RO/DI water systems for finishing and cleaning electronic and fabricated metal parts (PC boards, microchips, capacitors, jewelry, pharmaceuticals, aerospace, cosmetic & drug packaging systems, glass products)
- Ultrasonic cleaning systems
- Water purification systems
- Foodservice and food production

# Dimensions

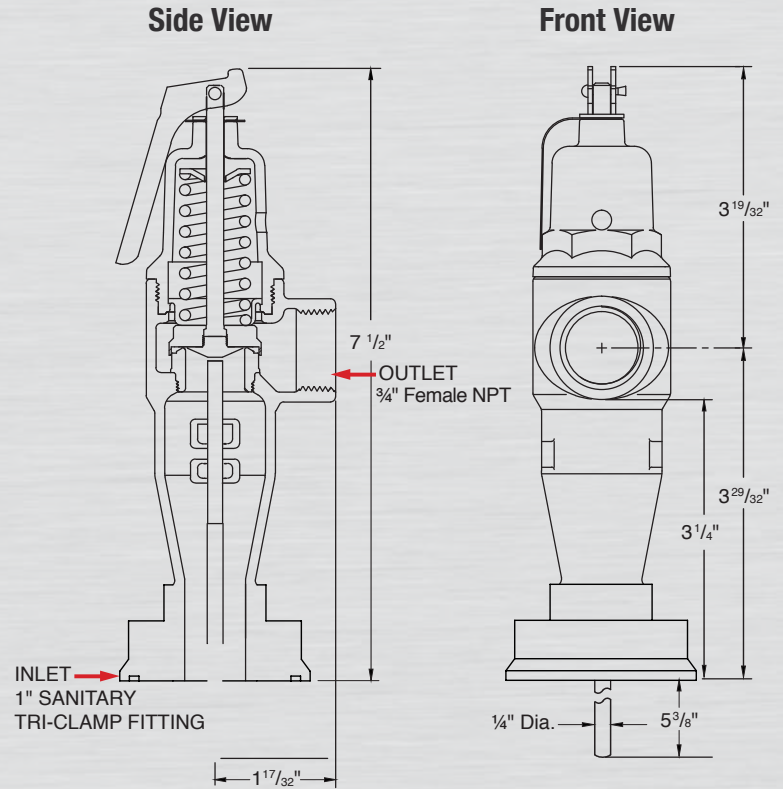
## Threaded

Part No: FVMX-5LS-SST



## Tri-Clamp Fitting

Part No: FVMX-5LS-SST



# Specifications

### Hubbell Part Number: FVMX-5LS-SST

#### Connections:

Inlet	3/4" Male NPT
Outlet	3/4" Female NPT

### Hubbell Part Number: FVMX-5LS-SST-TC

#### Connections:

Inlet	1" Sanitary Tri-Clamp Fitting
Outlet	3/4" Female NPT

#### Relief Capacity\*:

CSA	205,000 BTU/Hr
ASME	1,912,000 BTU/Hr

**Relief Temperature:** 210°F

**Relief Pressure:** 150psi

**Body Material:** 316L Stainless steel

**Spring Chamber:** Aluminum (non-wetted surface)

**Seat Disc:** Silicone

**Shipping Weight:** 1.73 lbs.

**Approvals:** ASME Section IV, HV Stamped

ANSI Z21.22 - 2015

CSA 4.4 - 2015

CRN CSA-0G1438.6C

**\*Note:** Multiple relief valves can be used to achieve greater BTU relief capacity.

