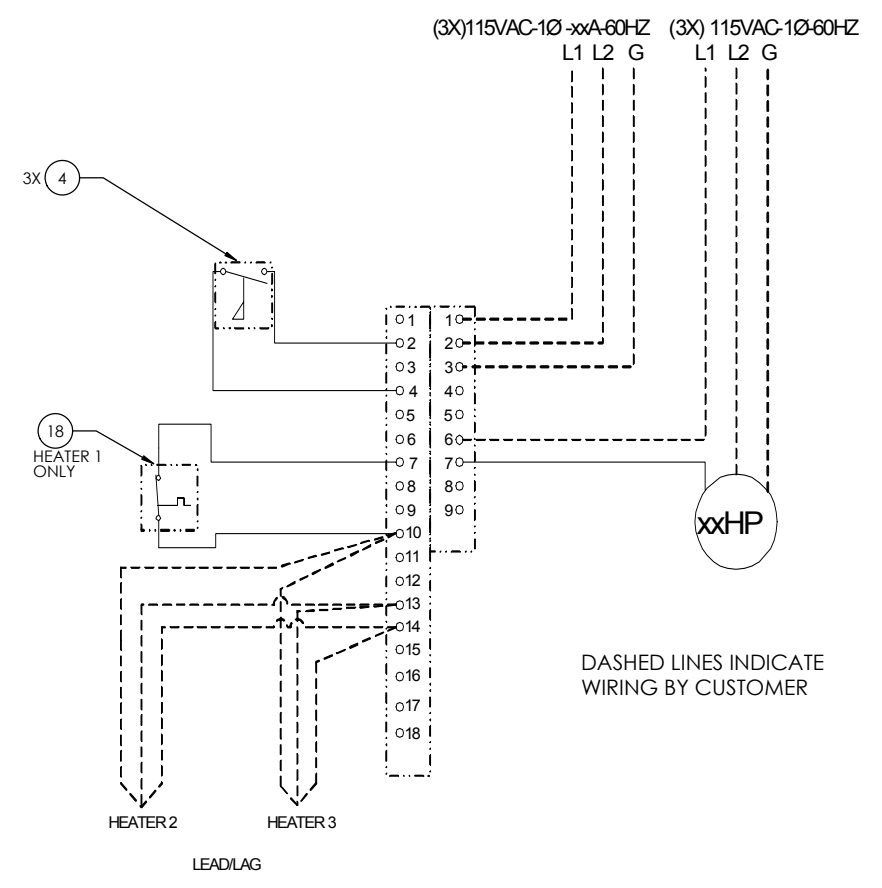
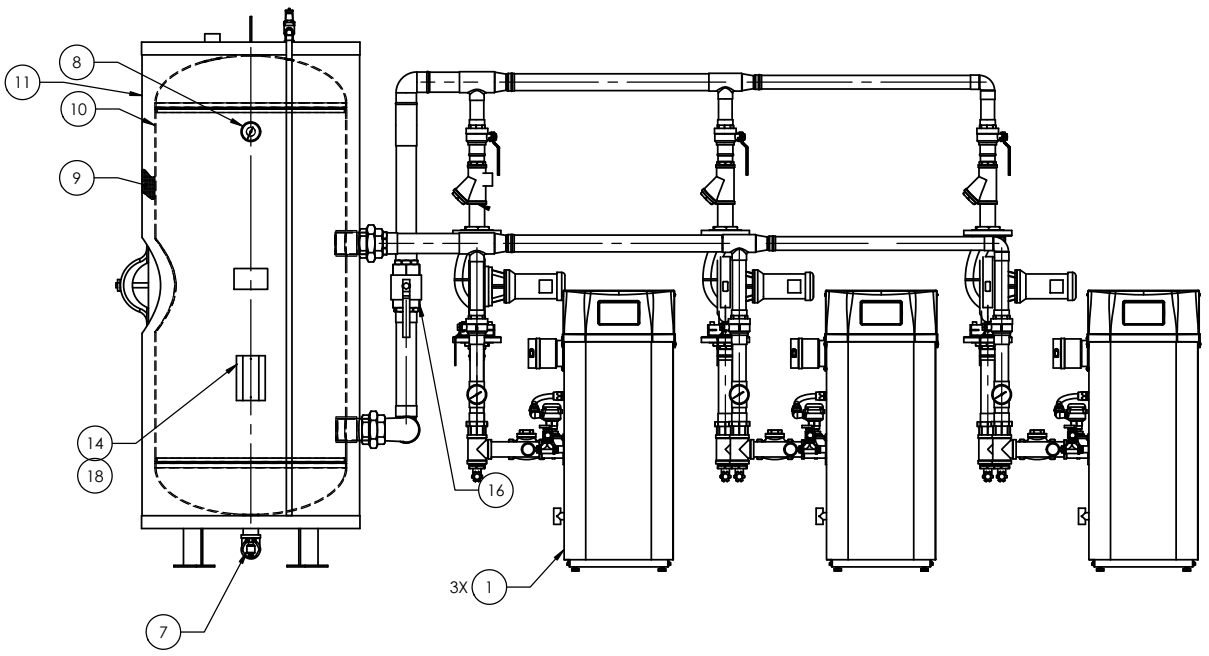
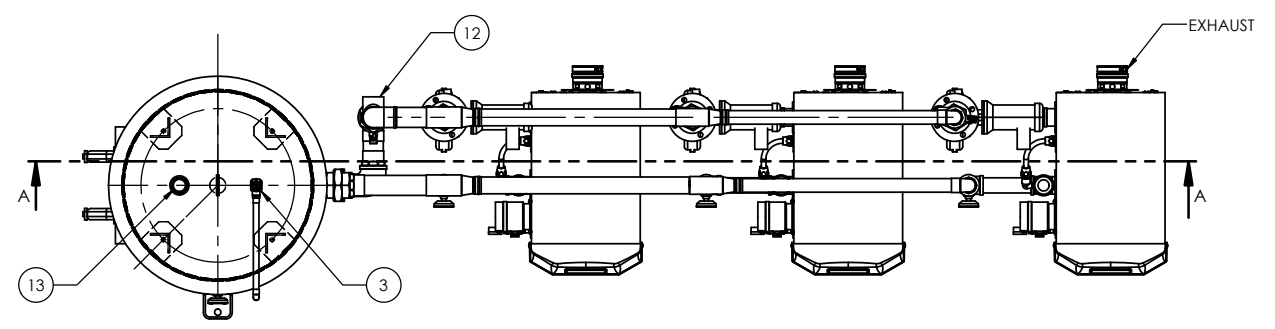
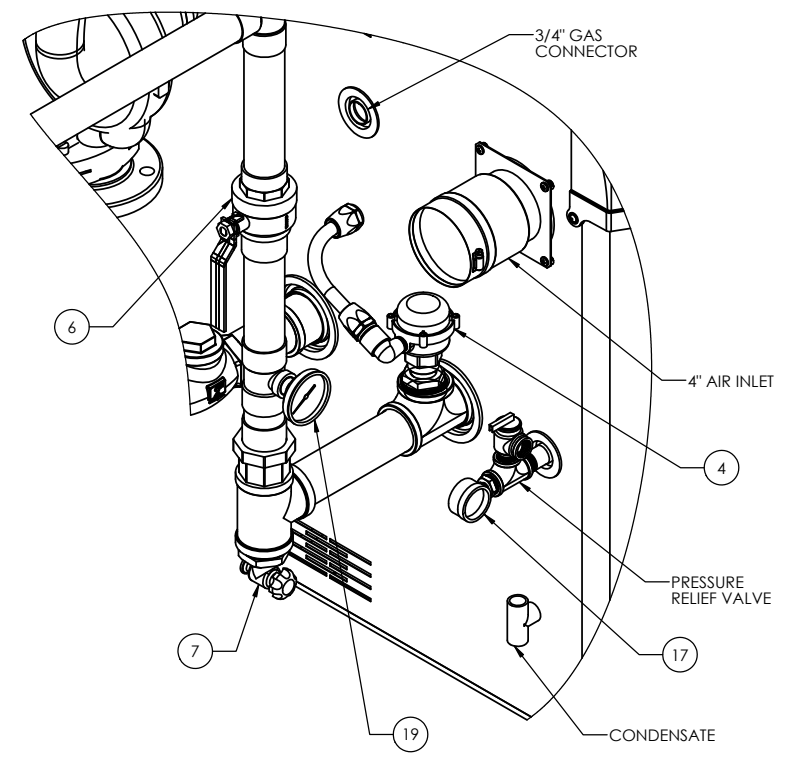


SECTION A-A



DASHED LINES INDICATE WIRING BY CUSTOMER

ITEM	QTY	PART NO	MATERIAL	DESCRIPTION
1	3	NNXXx00500	---	GAS FIRED TANKLESS WATER HEATER
2	3		---	CIRCULATION PUMP, SS, 115/230/1P, 3/4 HP
3	1		BRASS	T&P RELIEF VALVE, 150PSI/210°F, 1"MNPTX1"FNPT
4	3	HUB-84102	BRASS	FLOW SWITCH
5	3		BRASS	CHECK VALVE, 2" FNPT
6	6	VTBLBZ-2-PXP	BRONZE	BALL VALVE 2" PROPRESS
7	7		BRASS	DRAIN VALVE, 3/4" GHT
8	1		---	TEMPERATURE AND PRESSURE GAUGE
9	1		POLYURETHANE	ENERGY EFFICIENT INSULATION, 2" THICK
10	1		STEEL	HYDRASTONE CEMENT LINED VESSEL, 200GAL
11	1		COMPOSITE	PROTECTIVE OUTER JACKET
12	1		BRASS	COLD WATER INLET 2" FNPT
13	1		BRASS	HOT WATER OUTLET, 2" FNPT
14	1	A19AAC-9C	---	AQUASTAT, 100-240°F
15	3		BRONZE	Y-STRAINER, 2" FNPT, 80 MESH
16	1		BRASS	BALL VALVE 3"
17	3		---	PRESSURE GAUGE
18	1	WEL14A-602R	---	WELL, THERMOSTAT
19	3		---	TRIDICATOR 3"



- NOTES:
- EACH NxX00 RATED FOR x00 mBTU/HR
TOTAL SYSTEM RATING xx mBTU/HR
 - SYSTEM DESIGNED FOR 150 PSI MAX
 - CONSULT O&M MANUAL FOR INSTALLATION REQUIREMENTS AND OPERATING PARAMETERS
 - EACH NX UNIT REQUIRES 120V/1Ph/60Hz SUPPLY WITH x AMP MAX CIRCUIT PROTECTION
 - EACH NX UNIT WEIGHS APPROX. xxLBS EMPTY, xx LBS WITH WATER.
 - VESSEL TO BE ALL WELDED STEEL CONSTRUCTION CEMENT LINED TO A MINIMUM 5/8" THICKNESS AFTER FABRICATION AND TEST.
 - DESIGNED FOR 150PSI WORKING PRESSUREM 225PSI TEST. ASME CONSTRUCTION AND STAMPED SECTION IV.
 - LABELS ARE TO BE ADDED TO DESIGNATE UNION CONNECTIONS

DRAWN	DATE	NAME	 The Electric Heater Company Stamford, CT 06615 (203) 378-2659
CHECKED			
ENG APPR.			
MFG APPR.			
Description: NX TYPICAL PIPING DETAILS STORAGE VESSEL W/ (3) NX GAS HEATERS			Customer:
PROPRIETARY AND CONFIDENTIAL THE INFORMATION CONTAINED IN THIS DRAWING IS THE SOLE PROPERTY OF THE ELECTRIC HEATER COMPANY. ANY REPRODUCTION IN PART OR AS A WHOLE WITHOUT THE WRITTEN PERMISSION OF THE ELECTRIC HEATER COMPANY IS PROHIBITED.			DIMENSIONS ARE IN INCHES TOLERANCES: (UNLESS OTHERWISE SPECIFIED) FRACTIONAL ±.015" ANGULAR: MACH ±.01° BEND ±1° TWO PLACE DECIMAL ±0.01 THREE PLACE DECIMAL ±0.005
SIZE	DWG. NO.	REV	
D			
SCALE: 1:20			FSCM: 19857 SHEET 1 OF 1