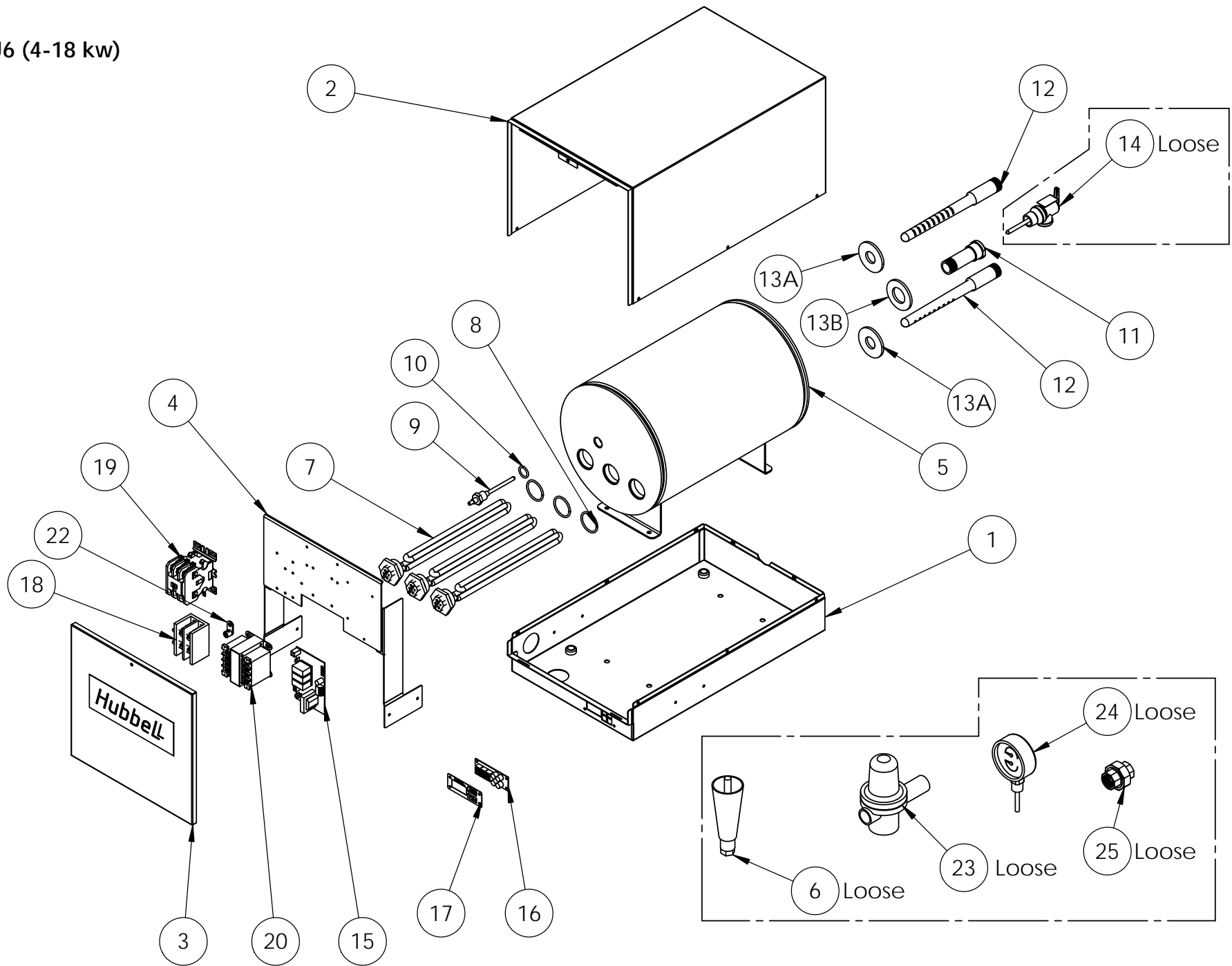


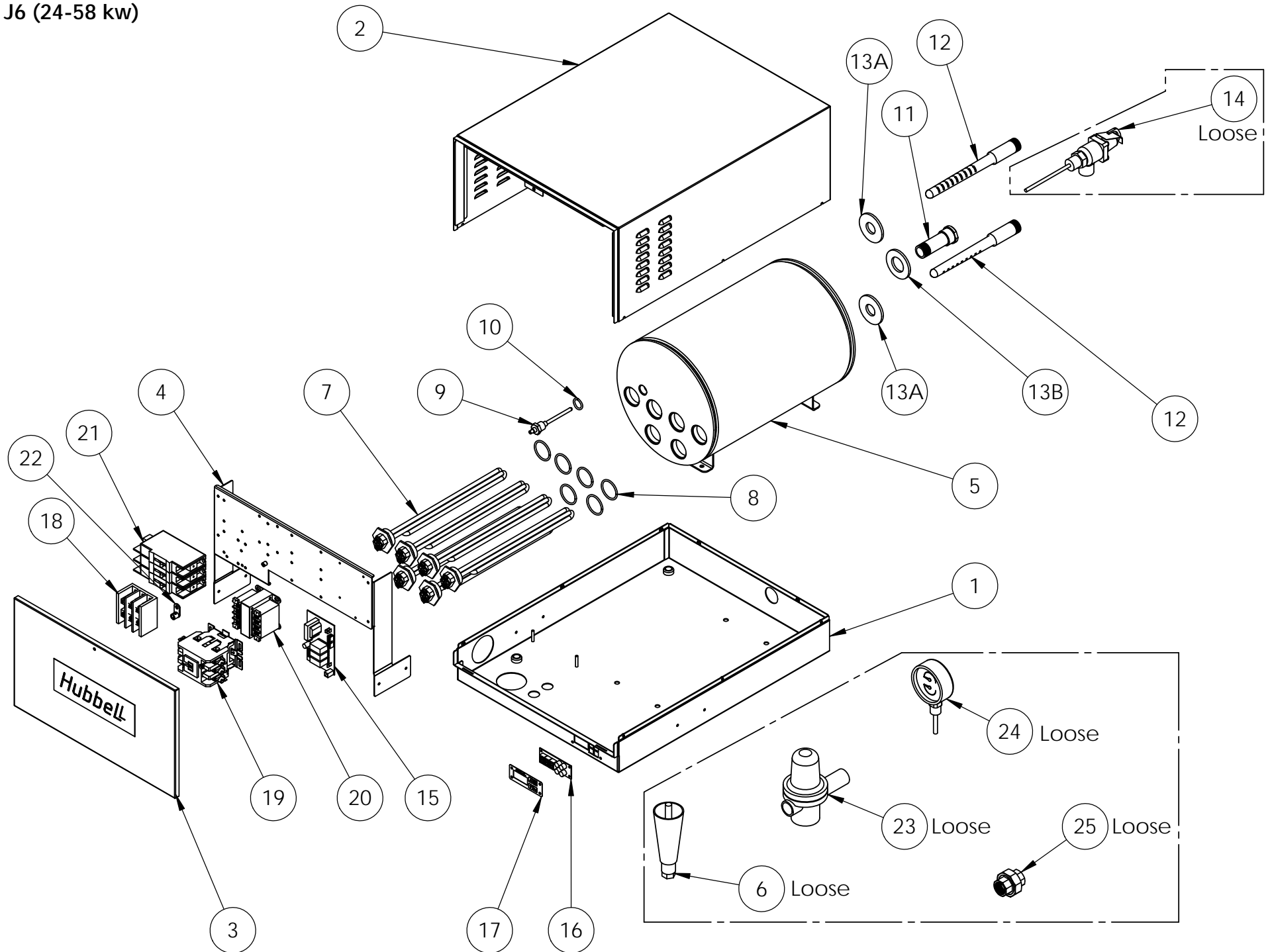
**J MODEL  
PARTS BREAKDOWN**

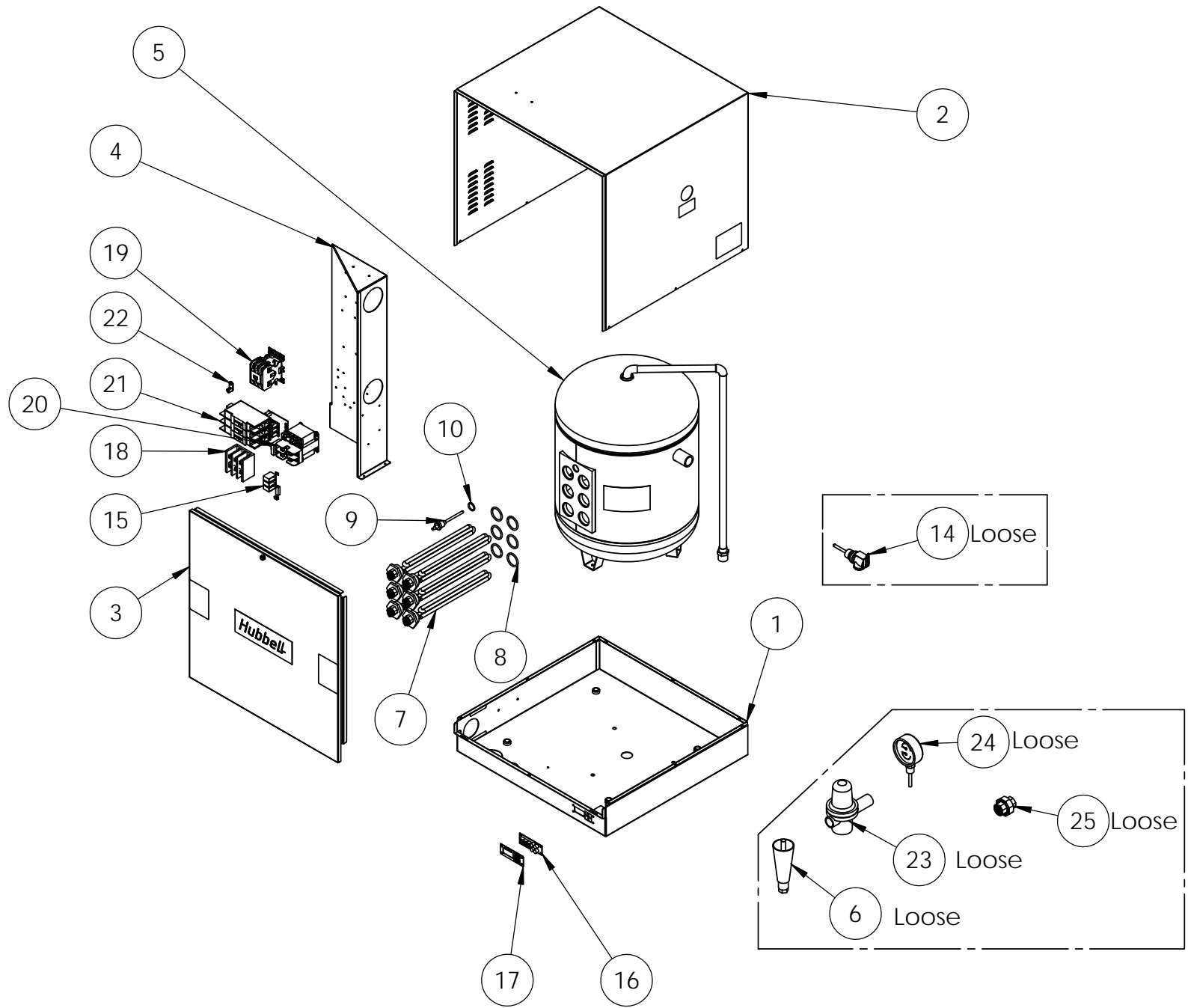


J6 (4-18 kw)

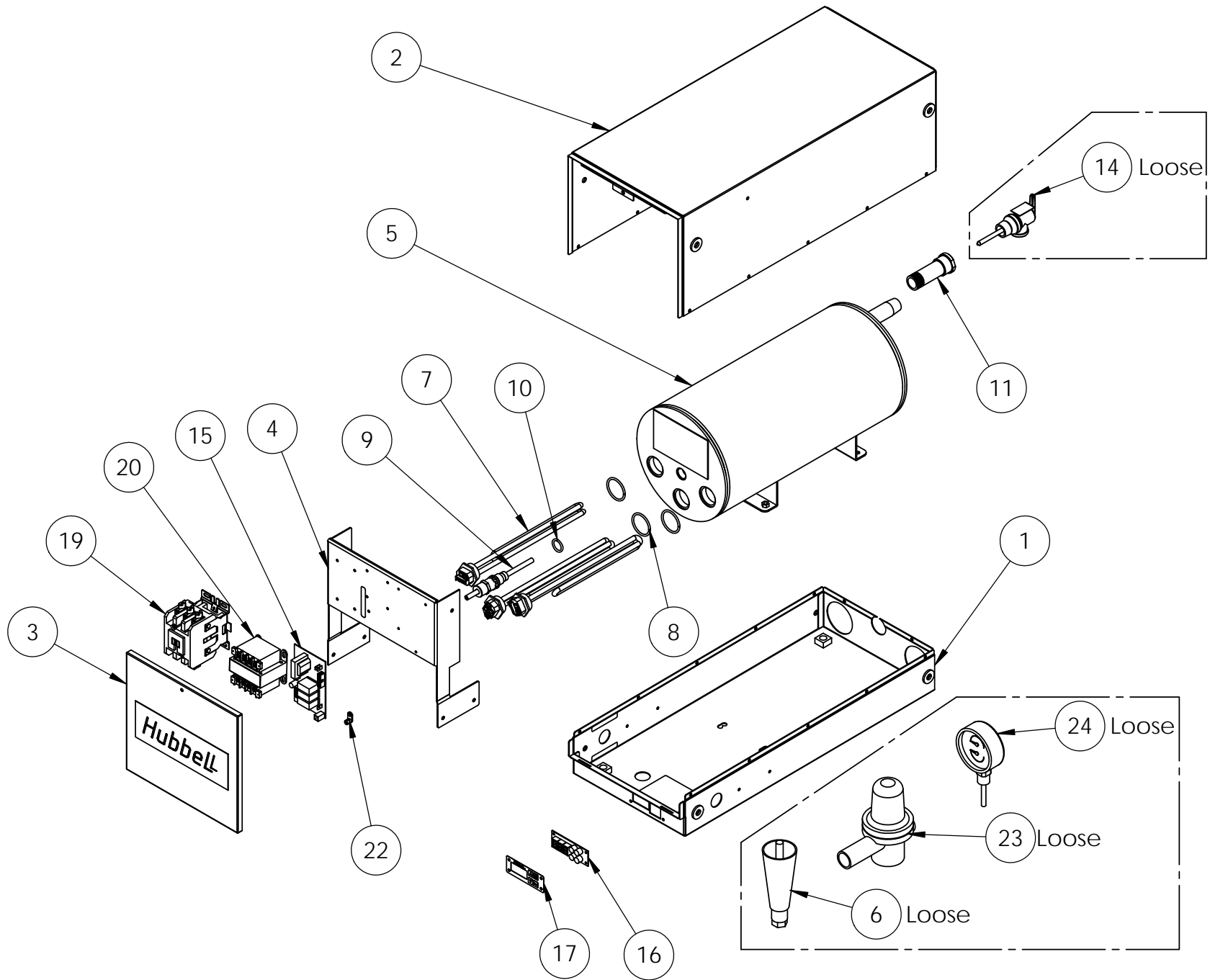


J6 (24-58 kw)

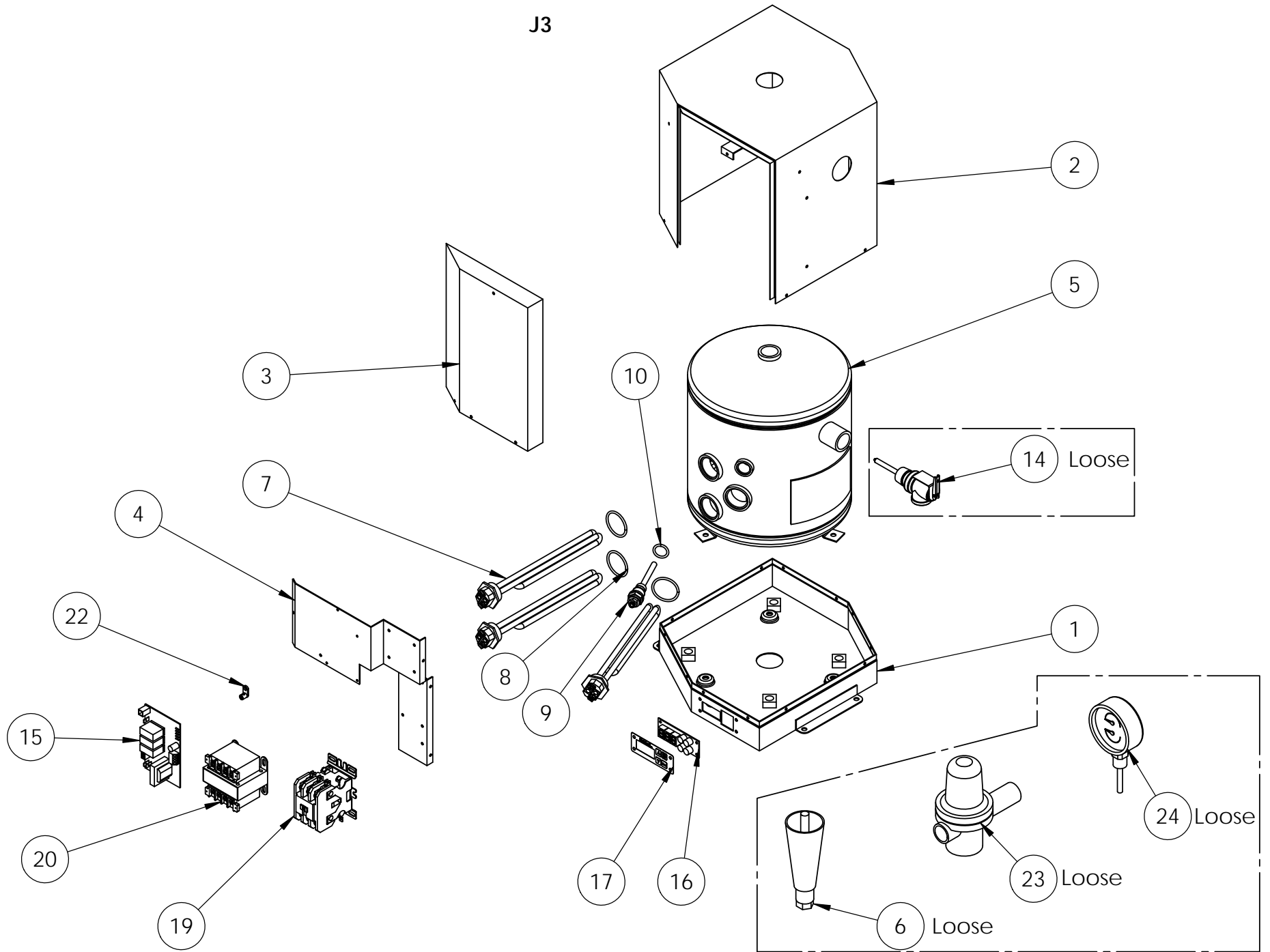




J4



J3



Item No.	Description	J6 (4-18 kW)	J6 (24-58 kW)	J16	J4	J3
		Part No.	Part No.	Part No.	Part No.	Part No.
1	Base	J6-3 BASE	J6-6 BASE	J16 BASE	J4 BASE	J3 BASE
2	Top Cover	J6-3 JACKET	J6-6 JACKET	J16 JACKET	J4 JACKET	J3 JACKET
3	Front Cover	J6-3 FRONT COVER	J6-6 FRONT COVER	J16 FRONT COVER	J4 FRONT COVER	J3 FRONT COVER
4	Electrical Mounting Panel	J6-3 CONTROL PLATE	J6-6 CONTROL PLATE	J16 CONTROL PLATE	J4 CONTROL PLATE	J3 CONTROL PLATE
5	Vessel	J6-3 TANK	J6-6 TANK	NOTE 2	J411R TANK	J3 TANK
6	Plastic Legs	AE61-4002-C				
7	Element	NOTE 1				
8	Element O-Ring	O RING J MODEL				
9	P65 Sensor Probe	P65				
10	P65 Sensor Probe O-Ring	O RING - 115 BUNA				
11	Relief Valve Nipple	EXTE .75X2.5				
12	Slide Bracket	DIFFUSER ASSEMBLY	DIFFUSER ASSEMBLY	N/A	N/A	N/A
13A	Gasket, Relief Valve	GASK J IN/OUT				
13B	Gasket, Inlet/Outlet	GASK J RELIEF VALVE				
14	Relief Valve	100XL .75 150LB	100XL .75 150LB	NOTE 1	100XL .75 150LB	100XL .75 150LB
15	Control Board	T1000				
16	Digital Display Board	TD1000				
17	Display Overlay	OVERLAY J MODEL				
18	Power Distribution Block	NOTE 1	NOTE 1	NOTE 1	N/A	N/A
19	Magnetic Contactor	NOTE 1				
20	Transformer	NOTE 1				
21	Circuit Breaker	N/A	NOTE 1	NOTE 1	N/A	N/A
22	Ground Lug	KA8C				
23	Pressure Reducing Valve	N45BU				
24	Temperature and Pressure Gauge	TTD405				
25	Dielectric Union 3/4"	DIELECTRIC UNION	DIELECTRIC UNION	DIELECTRIC UNION	N/A	N/A

Notes:

1) See specific model for part number and quantity.

2) J16's up to and including 58 kW vessel have a part number of J16-6 TANK, J16's greater than 58 kW have a part number of J16-9 TANK.

## 120V - Single Phase

6 Gallon Part No.	16 Gallon Part No.	Total kW	Elements			Contactor			Circuit Breakers			Power Distribution Block		Wiring Diagram	Total Heater Amps	Relief Valve P/N
			No. of Pcs.	Element Wattage	Part Number	No. Pcs.	Amps (resistive)	Part Number	No. Pcs.	Amps	Part Number	Size	Part Number			
J61A	J161A	1	1	1000 (a)	C1315-14	1	20	C25DNF315A	-	-	-	-	-	1 (NT)	8.3	100XL .75 150LB
J61.5A	J161.5A	1.5	1	1500 (b)	C1315-17	1	20	C25DNF315A	-	-	-	-	-	1 (NT)	12.5	100XL .75 150LB
J62A	J162A	2	1	2380 (c)	C2315-7	1	40	C25DNF330A	-	-	-	-	-	1 (NT)	19.8	100XL .75 150LB
J63A	J163A	3	3	1000 (a)	C1315-14	1	40	C25DNF330A	-	-	-	-	-	4	25.0	100XL .75 150LB

Misc. Electrical	Hubbell Part Number
Control Board	T1000-120
Digital Display Module	TD1000
Display Overlay	OVERLAY J MODEL
Probe Sensor	P65
Probe Thermo Well w/ Sensor	P65 WELL
24V Interlock Adapter	J1 Remote Adapter
J16 Ribbon Cable Adapter	J16 RIBBON CABLE

- (a) - Derated from 4000W @ 240V
- (b) - Derated from 6000W @ 240V
- (c) - Derated from 7150W @ 208V

Accessories	
Description	Part No.
Brass Pressure Reducing Valve w/ By-Pass	N45BU
T&P Gauge	TTD405
Shock Absorber	Shock Absorber
Plastic Legs, set of 4 (4 Required)	61649NOBN5T4
Nickel Plated Legs (4 Required)	AE61-4002-C
Stainless Steel Adjustable Legs (4 Required)	A50-5048-C
Inlet/Outlet Nipple w/ Diffuser Assembly	J6 Diffuser
Protective Cover (J6 Model)	J6-3 Shroud
Protective Cover (J16 Model)	J16 Shroud
Floor Mount Legs S/S (4 Required)	A50-9939-C
Slide Brackets (6 Gallon models only)	J6 Slide Bracket
Water Treatment System (Blended Phosphate)	HBW-CLEAR
Replacement Cartridge for Water Treatment	RSC-10



## 208V - Single Phase

6 Gallon Part No.	16 Gallon Part No.	Total kW	Elements			Contactor			Circuit Breakers			Power Distribution Block		Wiring Diagram	Total Heater Amps	Relief Valve P/N
			No. of Pcs.	Element Wattage	Part Number	No. Pcs.	Amps (resistive)	Part Number	No. Pcs.	Amps	Part Number	Size	Part Number			
J64RS	J164RS	4	1	4000	C1315-3	1	40	C25DNF330B	-	-	-	-	-	1 (NT)	19.2	100XL .75 150LB
J65RS	J165RS	5	1	5000	C1315-4	1	40	C25DNF330B	-	-	-	-	-	1 (NT)	24.0	100XL .75 150LB
J66RS	J166RS	6	3	2000	C1315-2	1	40	C25DNF330B	-	-	-	-	-	4	28.8	100XL .75 150LB
J67RS	J167RS	7	3	2250 (a)	C1315-12	1	40	C25DNF330B	-	-	-	-	-	4	32.5	100XL .75 150LB
J69RS	J169RS	9	3	3000 (b)	C1315-14	1	50	C25DNF340B	-	-	-	-	-	4	43.3	100XL .75 150LB
J610RS	J1610RS	10.5	3	3380 (c)	C1315-15	1	65	C25DNF350B	-	-	-	-	-	4	48.8	100XL .75 150LB
J612RS	J1612RS	12	3	4000	C1315-3	1	65	C25DNF350B	-	-	-	-	-	4	57.7	100XL .75 150LB
J613RS	J1613RS	13.5	3	4500 (d)	C1315-17	1	75	C25FNF360B	-	-	-	-	-	4	64.9	100XL .75 150LB
J615RS	J1615RS	15	3	5000	C1315-4	1	90	C25FNF375B	-	-	-	175A, 2-Pole, 1-4	16220-2	4 (DB)	72.1	100XL .75 150LB
J618RS	J1618RS	18	3	6000	C1315-5	1	90	C25FNF375B	-	-	-	175A, 2-Pole, 1-4	16220-2	4 (DB)	86.5	100XL .75 150LB
J624RS	J1624RS	24	6	4000	C1315-3	2	50	C25DNF340B	-	-	-	175A, 2-Pole, 1-4	16220-2	3A	115.4	100XL .75 150LB
J627RS	J1627RS	27	6	4500 (d)	C1315-17	2	50	C25DNF340B	2	60	CB 60 AMP	310A, 3-Pole, 1-6	16023-3	6A	130.0	100XL .75 150LB
J630RS	J1630RS	30	6	5000	C1315-4	2	65	C25DNF350B	2	70	CB 70 AMP	310A, 3-Pole, 1-6	16023-3	6A	144.2	100XL .75 150LB
J636RS	J1636RS	36	6	6000	C1315-5	2	65	C25DNF350B	2	80	CB 80 AMP	310A, 3-Pole, 1-6	16023-3	6A	173.1	100XL .75 150LB
J639RS	J1639RS	39	6	6500	C2315-6	2	75	C25FNF360B	2	80	CB 80 AMP	310A, 3-Pole, 1-6	16023-3	6A	187.5	100XL .75 150LB
J640RS	J1640RS	40.5	6	6750 (e)	N2375-20	2	75	C25FNF360B	2	90	CB 90 AMP	310A, 3-Pole, 1-6	16023-3	6A	196.8	100XL .75 150LB

Misc. Electrical	Hubbell Part Number
Control Board	T1000
Digital Display Module	TD1000
Display Overlay	OVERLAY J MODEL
Probe Sensor	P65
Probe Thermo Well w/ Sensor	P65 Well
24V Interlock Adapter	J1 Remote Adapter
J16 Ribbon Cable Adapter	J16 RIBBON CABLE

Accessories	
Description	Part No.
Brass Pressure Reducing Valve w/ By-Pass	N45BU
T&P Gauge	TTD405
Shock Absorber	Shock Absorber
Plastic Legs, set of 4 (4 Required)	61649NOBN5T4
Nickel Plated Legs (4 Required)	AE61-4002-C
Stainless Steel Adjustable Legs (4 Required)	A50-5048-C
Floor Mount Legs S/S (4 Required)	A50-9939-C
Slide Brackets (6 Gallon models only)	J6 Slide Bracket
Inlet/Outlet Nipple w/ Diffuser Assembly	J6 Diffuser
Protective Cover for J6 (4-18 KW)	J6-3 Shroud
Protective Cover for J6 (24-58 KW)	J6-6 Shroud
Protective Cover for J16	J16 Shroud
Water Treatment System (Blended Phosphate)	HBW-CLEAR
Replacement Cartridge for Water Treatment	RSC-10

- (a) - Derated from 3000W @ 240V
- (b) - Derated from 4000W @ 240V
- (c) - Derated from 4500W @ 240V
- (d) - Derated from 6000W @ 240V
- (e) - Derated from 9000W @ 240V

## 240V - Single Phase

6 Gallon Part No.	16 Gallon Part No.	Total kW	Elements			Contactor			Circuit Breakers			Power Distribution Block		Wiring Diagram	Total Heater Amps	Relief Valve P/N
			No. of Pcs.	Element Wattage	Part Number	No. Pcs.	Amps (resistive)	Part Number	No. Pcs.	Amps	Part Number	Size	Part Number			
J64S	J164S	4	1	4000	C1315-14	1	20	C25DNF315B	-	-	-	-	-	1 (NT)	16.7	100XL .75 150LB
J65S	J165S	5	1	5000	C1315-16	1	40	C25DNF330B	-	-	-	-	-	1 (NT)	20.8	100XL .75 150LB
J66S	J166S	6	3	2000	C1315-11	1	40	C25DNF330B	-	-	-	-	-	4	25.0	100XL .75 150LB
J67S	J167S	7	3	2660 (a)	C1315-2	1	40	C25DNF330B	-	-	-	-	-	4	33.2	100XL .75 150LB
J69S	J169S	9	3	3000	C1315-12	1	50	C25DNF340B	-	-	-	-	-	4	37.5	100XL .75 150LB
J610S	J1610S	10.5	3	3500	C1315-13	1	50	C25DNF340B	-	-	-	-	-	4	43.8	100XL .75 150LB
J612S	J1612S	12	3	4000	C1315-14	1	65	C25DNF350B	-	-	-	-	-	4	50.0	100XL .75 150LB
J613S	J1613S	13.5	3	4500	C1315-15	1	65	C25DNF350B	-	-	-	-	-	4	56.3	100XL .75 150LB
J615S	J1615S	15	3	5000	C1315-16	1	75	C25FNF360B	-	-	-	-	-	4	62.5	100XL .75 150LB
J618S	J1618S	18	3	6000	C1315-17	1	90	C25FNF375B	-	-	-	175A, 2-Pole, 1-4	16220-2	4 (DB)	75.0	100XL .75 150LB
J624S	J1624S	24	6	4000	C1315-14	2	40	C25DNF330B	-	-	-	175A, 2-Pole, 1-4	16220-2	3A	100.0	100XL .75 150LB
J627S	J1627S	27	6	4500	C1315-15	2	50	C25DNF340B	-	-	-	175A, 2-Pole, 1-4	16220-2	3A	112.5	100XL .75 150LB
J630S	J1630S	30	6	5000	C1315-16	2	50	C25DNF340B	2	60	CB 60 AMP	310A, 3-Pole, 1-6	16023-3	6A	125.0	100XL .75 150LB
J636S	J1636S	36	6	6000	C1315-17	2	65	C25DNF350B	2	70	CB 70 AMP	310A, 3-Pole, 1-6	16023-3	6A	150.0	100XL .75 150LB
J639S	J1639S	39	6	6500	C1315-18	2	65	C25DNF350B	2	70	CB 70 AMP	310A, 3-Pole, 1-6	16023-3	6A	162.5	100XL .75 150LB
J640S	J1640S	40.5	6	6750	C1315-34	2	65	C25DNF350B	2	80	CB 80 AMP	310A, 3-Pole, 1-6	16023-3	6A	168.8	100XL .75 150LB
J645S	J1645S	45	6	7500	C2315-19	2	75	C25FNF360B	2	80	CB 80 AMP	310A, 3-Pole, 1-6	16023-3	6A	187.5	100XL .75 150LB

Misc. Electrical	Hubbell Part Number
Control Board	T1000
Digital Display Module	TD1000
Display Overlay	OVERLAY J MODEL
Probe Sensor	P65
Probe Thermo Well w/ Sensor	P65 WELL
24V Interlock Adapter	J1 Remote Adapter
J16 Ribbon Cable Adapter	J16 RIBBON CABLE

Accessories	
Description	Part No.
Brass Pressure Reducing Valve w/ By-Pass	N45BU
T&P Gauge	TTD405
Shock Absorber	Shock Absorber
Plastic Legs, set of 4 (4 Required)	61649NOBN5T4
Nickel Plated Legs (4 Required)	AE61-4002-C
Stainless Steel Adjustable Legs (4 Required)	A50-5048-C
Floor Mount Legs S/S (4 Required)	A50-9939-C
Slide Brackets (6 Gallon Models only)	J6 Slide Bracket
Inlet/Outlet Nipple w/ Diffuser Assembly	J6 Diffuser
Protective Cover for J6 (4-18KW)	J6-3 Shroud
Protective Cover for J6 (24-58KW)	J6-6 Shroud
Protective Cover for J16	J16 Shroud
Water Treatment System (Blended Phosphate)	HBW-CLEAR
Replacement Cartridge for Water Treatment	RSC-10

(a) - Derated from 2000W @ 208V

## 208V - 3 Phase

6 Gallon Part No.	16 Gallon Part No.	kW	Elements			Contactor			Circuit Breakers			Power Distribution Block		Wiring Diagram	Total Heater Amps	Relief Valve P/N
			No. of Pcs.	Element Wattage	Part Number	No. Pcs.	Amps (resistive)	Part Number	No. Pcs.	Amps	Part Number	Size	Part Number			
J66R	J166R	6	3	2000	C1315-2	1	40	C25DNF330B	-	-	-	-	-	10 (NT)	16.7	100XL .75 150LB
J67R	J167R	7	3	2250 (a)	C1315-12	1	40	C25DNF330B	-	-	-	-	-	10 (NT)	18.7	100XL .75 150LB
J69R	J169R	9	3	3000 (b)	C1315-14	1	50	C25DNF340B	-	-	-	-	-	10 (NT)	25.0	100XL .75 150LB
J610R	J1610R	10.5	3	3500 (c)	C1315-15	1	40	C25DNF330B	-	-	-	-	-	10 (NT)	29.1	100XL .75 150LB
J612R	J1612R	12	3	4000	C1315-3	1	40	C25DNF330B	-	-	-	-	-	10 (NT)	33.0	100XL .75 150LB
J613R	J1613R	13.5	3	4500 (d)	C1315-17	1	50	C25DNF340B	-	-	-	-	-	10 (NT)	37.5	100XL .75 150LB
J615R	J1615R	15	3	5000	C1315-4	1	50	C25DNF340B	-	-	-	-	-	10 (NT)	41.6	100XL .75 150LB
J618R	J1618R	18	3	6000	C1315-5	1	65	C25DNF350B	-	-	-	-	-	10 (NT)	50.0	100XL .75 150LB
J624R	J1624R	24	6	4000	C1315-3	1	75	C25FNF360B	-	-	-	-	-	13 (NT)	66.6	100XL .75 150LB
J627R	J1627R	27	6	4500 (d)	C1315-17	2	50	C25DNF340B	-	-	-	175A, 3-Pole, 1-4	16220-3	12 (NCB)	74.9	100XL .75 150LB
J630R	J1630R	30	6	5000	C1315-4	2	50	C25DNF340B	-	-	-	175A, 3-Pole, 1-4	16220-3	12 (NCB)	83.3	100XL .75 150LB
J636R	J1636R	36	6	6000	C1315-5	2	65	C25DNF350B	-	-	-	175A, 3-Pole, 1-4	16220-3	12 (NCB)	99.9	100XL .75 150LB
J639R	J1639R	39	6	6500	C2315-6	2	65	C25DNF350B	-	-	-	175A, 3-Pole, 1-4	16220-3	12 (NCB)	108.3	100XL .75 150LB
J640R	J1640R	40.5	6	6750	N2375-20	2	65	C25DNF350B	-	-	-	175A, 3-Pole, 1-4	16220-3	12 (NCB)	113.8	100XL .75 150LB
J645R	J1645R	45	6	7150	C2315-7	2	65	C25DNF350B	-	-	-	175A, 3-Pole, 1-4	16220-3	12 (NCB)	119.1	100XL .75 150LB
J654R	J1654R	54	6	9000	N2375-9	2	90	C25FNF375B	2	100	CB 100 AMP	310A, 3-Pole, 1-6	16023-3	12	149.9	100XL .75 150LB
J658R	J1658R	58.5	6	9600	N2375-10	2	90	C25FNF375B	2	100	CB 100 AMP	310A, 3-Pole, 1-6	16023-3	12	159.9	100XL .75 150LB
-	J1664R	64	9	7150	C2315-7	3*	65	C25DNF350B	3	80	CB 80 AMP	310A, 3-Pole, 1-6	16023-3	17	178.6	40XL-4 1 150LB
-	J1681R	81	9	9000	N2375-9	3*	90	C25FNF375B	3	100	CB 100 AMP	310A, 3-Pole, 1-6	16023-3	17	224.8	40XL-4 1 150LB
-	J1686R	86	9	9600	N2375-10	3*	90	C25FNF375B	3	100	CB 100 AMP	310A, 3-Pole, 1-6	16023-3	17	239.8	40XL-4 1 150LB

Misc. Electrical	Hubbell Part Number
Control Board	T1000
Digital Display Module	TD1000
Display Overlay	OVERLAY J MODEL
Probe Sensor	P65
Probe Thermo Well w/ Sensor	P65 WELL
24V Interlock Adapter	J1 Remote Adapter
J16 Ribbon Cable Adapter	J16 RIBBON CABLE
*T1000 Expansion Board	XB1

- (a) - Derated from 3000W @ 240V
- (b) - Derated from 4000W @ 240V
- (c) - Derated from 4500W @ 240V
- (d) - Derated from 6000W @ 240V
- (e) - Derated from 9000W @ 240V

Accessories	
Description	Part No.
Brass Pressure Reducing Valve w/ By-Pass	N45BU
T&P Gauge	TTD405
Shock Absorber	Shock Absorber
Plastic Legs, set of 4 (4 Required)	61649NOBN5T4
Nickel Plated Legs (4 Required)	AE61-4002-C
Stainless Steel Adjustable Legs (4 Required)	A50-5048-C
Floor Mount Legs S/S (4 Required)	A50-9939-C
Slide Brackets (6 Gallon models only)	J6 Slide Bracket
Inlet/Outlet Nipple w/ Diffuser Assembly	J6 Diffuser
Protective Cover for J6 (4-18 KW)	J6-3 Shroud
Protective Cover for J6 (24-58 KW)	J6-6 Shroud
Protective Cover for J16	J16 Shroud
Water Treatment System (Blended Phosphate)	HBW-CLEAR
Replacement Cartridge for Water Treatment	RSC-10

## 240V - 3 Phase

6 Gallon Part No.	16 Gallon Part No.	Total kW	Elements			Contactor			Circuit Breakers			Power Distribution Block		Wiring Diagram	Total Heater Amps	Relief Valve P/N
			No. of Pcs.	Element Wattage	Part Number	No. Pcs.	Amps (resistive)	Part Number	No. Pcs.	Amps	Part Number	Size	Part Number			
J66T	J166T	6	3	2000	C1315-11	1	40	C25DNF330B	-	-	-	-	-	10 (NT)	14.4	100XL .75 150LB
J67T	J167T	7	3	2660 (a)	C1315-2	1	40	C25DNF330B	-	-	-	-	-	10 (NT)	19.2	100XL .75 150LB
J69T	J169T	9	3	3000	C1315-12	1	40	C25DNF330B	-	-	-	-	-	10 (NT)	21.7	100XL .75 150LB
J610T	J1610T	10.5	3	3500	C1315-13	1	40	C25DNF330B	-	-	-	-	-	10 (NT)	25.3	100XL .75 150LB
J612T	J1612T	12	3	4000	C1315-14	1	40	C25DNF330B	-	-	-	-	-	10 (NT)	28.9	100XL .75 150LB
J613T	J1613T	13.5	3	4500	C1315-15	1	40	C25DNF330B	-	-	-	-	-	10 (NT)	32.5	100XL .75 150LB
J615T	J1615T	15	3	5000	C1315-16	1	50	C25DNF340B	-	-	-	-	-	10 (NT)	36.1	100XL .75 150LB
J618T	J1618T	18	3	6000	C1315-17	1	50	C25DNF340B	-	-	-	-	-	10 (NT)	43.3	100XL .75 150LB
J624T	J1624T	24	6	4000	C1315-14	1	65	C25DNF350B	-	-	-	-	-	13 (NT)	57.7	100XL .75 150LB
J627T	J1627T	27	6	4500	C1315-15	1	75	C25FNF360B	-	-	-	-	-	13 (NT)	65.0	100XL .75 150LB
J630T	J1630T	30	6	5000	C1315-16	2	40	C25DNF330B	-	-	-	175A, 3-Pole, 1-4	16220-3	12 (NCB)	72.2	100XL .75 150LB
J636T	J1636T	36	6	6000	C1315-17	2	50	C25DNF340B	-	-	-	175A, 3-Pole, 1-4	16220-3	12 (NCB)	86.6	100XL .75 150LB
J639T	J1639T	39	6	6500	C1315-18	2	65	C25DNF350B	-	-	-	175A, 3-Pole, 1-4	16220-3	12 (NCB)	93.8	100XL .75 150LB
J640T	J1640T	40.5	6	6750	C1315-34	2	65	C25DNF350B	-	-	-	175A, 3-Pole, 1-4	16220-3	12 (NCB)	97.4	100XL .75 150LB
J645T	J1645T	45	6	7500	C2315-19	2	65	C25DNF350B	-	-	-	175A, 3-Pole, 1-4	16220-3	12 (NCB)	108.3	100XL .75 150LB
J654T	J1654T	54	6	9000	N2375-20	2	75	C25FNF360B	2	90	CB 90 AMP	310A, 3-Pole, 1-6	16023-3	12	129.9	100XL .75 150LB
J658T	J1658T	58.5	6	9750	N2375-21	2	90	C25FNF375B	2	90	CB 90 AMP	310A, 3-Pole, 1-6	16023-3	12	140.7	100XL .75 150LB
-	J1668T	68	9	7500	C2315-19	3*	65	C25DNF350B	3	70	CB 70 AMP	310A, 3-Pole, 1-6	16023-3	17	162.4	40XL-4 1 150LB
-	J1681T	81	9	9000	N2375-20	3*	75	C25FNF360B	3	90	CB 90 AMP	310A, 3-Pole, 1-6	16023-3	17	194.9	40XL-4 1 150LB
-	J1688T	88	9	9750	N2375-21	3*	90	C25FNF375B	3	90	CB 90 AMP	310A, 3-Pole, 1-6	16023-3	17	211.1	40XL-4 1 150LB

Misc. Electrical	Hubbell Part Number
Control Board	T1000
Digital Display Module	TD1000
Display Overlay	OVERLAY J MODEL
Probe Sensor	P65
Probe Thermo Well w/ Sensor	P65 WELL
24V Interlock Adapter	J1 Remote Adapter
J16 Ribbon Cable Adapter	J16 RIBBON CABLE
*T1000 Expansion Board	XB1

(a) - Derated from 2000W @ 208V

Accessories	
Description	Part No.
Brass Pressure Reducing Valve w/ By-Pass	N45BU
T&P Gauge	TTD405
Shock Absorber	Shock Absorber
Plastic Legs, set of 4 (4 Required)	61649NOBN5T4
Nickel Plated Legs (4 Required)	AE61-4002-C
Stainless Steel Adjustable Legs (4 Required)	A50-5048-C
Floor Mount Legs S/S (4 Required)	A50-9939-C
Slide Brackets (6 Gallon models only)	J6 Slide Bracket
Inlet/Outlet Nipple w/ Diffuser Assembly	J6 Diffuser
Protective Cover for J6 (4-18 KW)	J6-3 Shroud
Protective Cover for J6 (24-58 KW)	J6-6 Shroud
Protective Cover for J16	J16 Shroud
Water Treatment System (Blended Phosphate)	HBW-CLEAR
Replacement Cartridge for Water Treatment	RSC-10

### 380V - 3 Phase

6 Gallon Part No.	16 Gallon Part No.	Total kW	Elements			Contactor			Transformer	Power Distribution Block		Wiring Diagram	Total Heater Amps	Relief Valve P/N
			No. of Pcs.	Wattage	Part Number	No. Pcs.	Amps (resistive)	Part Number	380-185V P/N	Size	Part Number			
J64T3S	J164T3S	4*	1	4074 (a)	C1315-30	1	20	C25DNF315B	B050-3351-3	-	-	1 (WT)	10.7	100XL .75 150LB
J65T3S	J165T3S	5*	1	5014 (b)	C1315-11	1	20	C25DNF315B	B050-3351-3	-	-	1 (WT)	13.2	100XL .75 150LB
J66T3	J166T3	5.6	3	1880 (c)	C1315-24	1	20	C25DNF315B	B050-3351-3	-	-	10 (WT)	8.6	100XL .75 150LB
J67T3	J167T3	6.6	3	2194 (d)	C1315-25	1	20	C25DNF315B	B050-3351-3	-	-	10 (WT)	10.0	100XL .75 150LB
J69T3	J169T3	9.4	3	3134 (e)	C1315-28	1	20	C25DNF315B	B050-3351-3	-	-	10 (WT)	14.3	100XL .75 150LB
J610T3	J1610T3	11.3	3	3760 (f)	C1315-29	1	20	C25DNF315B	B050-3351-3	-	-	10 (WT)	17.1	100XL .75 150LB
J612T3	J1612T3	12.2	3	4074 (a)	C1315-30	1	20	C25DNF315B	B050-3351-3	-	-	10 (WT)	18.6	100XL .75 150LB
J613T3	J1613T3	14.1	3	4701 (g)	C1315-31	1	40	C25DNF330B	B050-3351-3	-	-	10 (WT)	21.4	100XL .75 150LB
J615T3	J1615T3	15	3	5014 (b)	C1315-11	1	40	C25DNF330B	B050-3351-3	-	-	10 (WT)	22.9	100XL .75 150LB
J618T3	J1618T3	18.3	3	6111 (h)	N2375-33	1	40	C25DNF330B	B050-3351-3	-	-	10 (WT)	27.9	100XL .75 150LB
J624T3	J1624T3	24.4	6	4074 (a)	C1315-30	1	50	C25DNF340B	B050-3351-3	-	-	13 (WT)	37.1	100XL .75 150LB
J627T3	J1627T3	28.2	6	4701 (g)	C1315-31	1	50	C25DNF340B	B050-3351-3	-	-	13 (WT)	42.9	100XL .75 150LB
J630T3	J1630T3	30	6	5014 (b)	C1315-11	1	65	C25DNF350B	B050-3351-3	-	-	13 (WT)	45.7	100XL .75 150LB
J636T3	J1636T3	36.6	6	6111 (h)	N2375-33	1	65	C25DNF350B	B050-3351-3	-	-	13 (WT)	55.7	100XL .75 150LB
J639T3	J1639T3	40	6	6675 (i)	C1315-2	1	75	C25DNF360B	B100RFD34XJ	-	-	13 (WT)	60.8	100XL .75 150LB
J640T3	J1640T3	40	6	6675 (i)	C1315-2	1	75	C25DNF360B	B100RFD34XJ	-	-	13 (WT)	60.8	100XL .75 150LB
J645T3	J1645T3	45.1	6	7521 (j)	C1315-12	2	40	C25DNF330B	B050-3351-3	175A, 3-Pole, 1-4	16220-3	12 (WT)	68.6	100XL .75 150LB
J654T3	J1654T3	52.6	6	8774 (k)	C1315-13	2	50	C25DNF340B	B050-3351-3	175A, 3-Pole, 1-4	16220-3	12 (WT)	80.0	100XL .75 150LB
J658T3	J1658T3	60.1	6	10028 (L)	C1315-14	2	50	C25DNF340B	B050-3351-3	175A, 3-Pole, 1-4	16220-3	12 (WT)	91.4	100XL .75 150LB
-	J1668T3	68	9	7521 (j)	C1315-12	3*	40	C25DNF330B	B100RFD34XJ	175A, 3-Pole, 1-4	16220-3	16 (WT)	102.8	40XL-4 1 150LB
-	J1679T3	79	9	8774 (k)	C1315-13	3*	50	C25DNF340B	B100RFD34XJ	175A, 3-Pole, 1-4	16220-3	16 (WT)	120.0	40XL-4 1 150LB
-	J1690T3	90	9	10028 (L)	C1315-14	3*	50	C25DNF340B	B100RFD34XJ	310A, 3-Pole, 1-6	16023-3	16 (CBWT)	137.1	40XL-4 1 150LB

Misc. Electrical	Hubbell Part Number
Control Board	T1000
Digital Display Module	TD1000
Display Overlay	OVERLAY J MODEL
Probe Sensor	P65
Probe Thermo Well w/ Sensor	P65 WELL
24 Interlock Adapter	J1 Remote Adapter
J16 Ribbon Cable Adapter	J16 RIBBON CABLE
*T1000 Expansion Board	XB1

Accessories	
Description	Part No.
Brass Pressure Reducing Valve w/ By-Pass	N45BU
T&P Gauge	TTD405
Shock Absorber	Shock Absorber
Plastic Legs, set of 4 (4 Required)	61649NOBN5T4
Nickel Plated Legs (4 Required)	AE61-4002-C
Stainless Steel Adjustable Legs (4 Required)	A50-5048-C
Floor Mount Legs S/S (4 Required)	A50-9939-C
Slide Brackets (6 Gallon models only)	J6 Slide Bracket
Inlet/Outlet Nipple w/ Diffuser Assembly	J6 Diffuser
Protective Cover for J6 (4-18 KW)	J6-3 Shroud
Protective Cover for J6 (24-58 KW)	J6-6 Shroud
Protective Cover for J16	J16 Shroud
Water Treatment System (Blended Phosphate)	HBW-CLEAR
Replacement Cartridge for Water Treatment	RSC-10

\* The 4 and 5 kW models are 380V - 1 Phase only

- (a) - Derated from 6500W @ 480V
- (b) - Derated from 2000W @ 240V
- (c) - Derated from 3000W @ 480V
- (d) - Derated from 3500W @ 480V
- (e) - Derated from 5000W @ 480V
- (f) - Derated from 6000W @ 480V

- (g) - Derated from 7500W @ 480V
- (h) - Derated from 9750W @ 480V
- (i) - Derated from 2000W @ 208V
- (j) - Derated from 3000W @ 240V
- (k) - Derated from 3500W @ 240V
- (L) - Derated from 4000W @ 240V

## 480V - 3 Phase

6 Gallon Part No.	16 Gallon Part No.	Total kW	Elements			Contactor			Transformer	Power Distribution Block		Wiring Diagram	Total Heater Amps	Relief Valve P/N
			No. of Pcs.	Element Wattage	Part Number	No. Pcs.	Amps (resistive)	Part Number	480-208V P/N	Size	Part Number			
J64T4S	J164T4S	4*	1	4000	C1315-26	1	20	C25DNF315B	B050-3299-3	-	-	1 (WT)	8.3	100XL .75 150LB
J65T4S	J165T4S	5*	1	5000	C1315-28	1	20	C25DNF315B	B050-3299-3	-	-	1 (WT)	10.4	100XL .75 150LB
J66T4	J166T4	6	3	2000	C1315-22	1	20	C25DNF315B	B050-3299-3	-	-	10 (WT)	7.2	100XL .75 150LB
J67T4	J167T4	7	3	2333	C1315-23	1	20	C25DNF315B	B050-3299-3	-	-	10 (WT)	8.4	100XL .75 150LB
J69T4	J169T4	9	3	3000	C1315-24	1	20	C25DNF315B	B050-3299-3	-	-	10 (WT)	10.8	100XL .75 150LB
J610T4	J1610T4	10.5	3	3500	C1315-25	1	20	C25DNF315B	B050-3299-3	-	-	10 (WT)	12.6	100XL .75 150LB
J612T4	J1612T4	12	3	4000	C1315-26	1	20	C25DNF315B	B050-3299-3	-	-	10 (WT)	14.4	100XL .75 150LB
J613T4	J1613T4	13.5	3	4500	C1315-27	1	20	C25DNF315B	B050-3299-3	-	-	10 (WT)	16.2	100XL .75 150LB
J615T4	J1615T4	15	3	5000	C1315-28	1	40	C25DNF330B	B050-3299-3	-	-	10 (WT)	18.0	100XL .75 150LB
J618T4	J1618T4	18	3	6000	C1315-29	1	40	C25DNF330B	B050-3299-3	-	-	10 (WT)	21.7	100XL .75 150LB
J624T4	J1624T4	24	6	4000	C1315-26	1	40	C25DNF330B	B050-3299-3	-	-	13 (WT)	28.9	100XL .75 150LB
J627T4	J1627T4	27	6	4500	C1315-27	1	40	C25DNF330B	B050-3299-3	-	-	13 (WT)	32.5	100XL .75 150LB
J630T4	J1630T4	30	6	5000	C1315-28	1	50	C25DNF340B	B050-3299-3	-	-	13 (WT)	36.1	100XL .75 150LB
J636T4	J1636T4	36	6	6000	C1315-29	1	50	C25DNF340B	B050-3299-3	-	-	13 (WT)	43.3	100XL .75 150LB
J639T4	J1639T4	39	6	6500	C1315-30	1	65	C25DNF350B	B050-3299-3	-	-	13 (WT)	46.9	100XL .75 150LB
J640T4	J1640T4	40.5	6	6750	C1315-35	1	65	C25DNF350B	B050-3299-3	-	-	13 (WT)	48.7	100XL .75 150LB
J645T4	J1645T4	45	6	7500	C1315-31	1	65	C25DNF350B	B050-3299-3	-	-	13 (WT)	54.1	100XL .75 150LB
J654T4	J1654T4	54	6	9000	N2375-32	1	75	C25DNF360B	B100PU1519JJ	-	-	13 (WT)	65.0	100XL .75 150LB
J658T4	J1658T4	58.5	6	9750	N2375-33	2	40	C25DNF330B	B050-3299-3	175A, 3-Pole, 1-4	16220-3	12 (WT)	70.4	100XL .75 150LB
-	J1668T4	68	9	7500	C1315-31	3*	40	C25DNF330B	B100PU1519JJ	175A, 3-Pole, 1-4	16220-3	16 (WT)	81.2	40XL-4 1 150LB
-	J1681T4	81	9	9000	N2375-32	3*	40	C25DNF330B	B100PU1519JJ	175A, 3-Pole, 1-4	16220-3	16 (WT)	97.4	40XL-4 1 150LB
-	J1688T4	88	9	9750	N2375-33	3*	40	C25DNF330B	B100PU1519JJ	175A, 3-Pole, 1-4	16220-3	16 (WT)	105.5	40XL-4 1 150LB

Misc. Electrical	Hubbell Part Number
Control Board	T1000
Digital Display Module	TD1000
Display Overlay	OVERLAY J MODEL
Probe	P65
Probe Thermo Well w/ Sensor	P65 WELL
24V Interlock Adapter	J1 Remote Adapter
J16 Ribbon Cable Adapter	J16 RIBBON CABLE
*T1000 Expansion Board	XB1

Accessories	
Description	Part No.
Brass Pressure Reducing Valve w/ By-Pass	N45BU
T&P Gauge	TTD405
Shock Absorber	Shock Absorber
Plastic Legs, set of 4 (4 Required)	61649NOBN5T4
Nickel Plated Legs (4 Required)	AE61-4002-C
Stainless Steel Adjustable Legs (4 Required)	A50-5048-C
Floor Mount Legs S/S (4 Required)	A50-9939-C
Slide Brackets (6 Gallon models only)	J6 Slide Bracket
Inlet/Outlet Nipple w/ Diffuser Assembly	J6 Diffuser
Protective Cover for J6 (4-18 KW)	J6-3 Shroud
Protective Cover for J6 (24-58 KW)	J6-6 Shroud
Protective Cover for J16	J16 Shroud
Water Treatment System (Blended Phosphate)	HBW-CLEAR
Replacement Cartridge for Water Treatment	RSC-10

\* The 4 and 5 kW models are 480V - 1 Phase only

## 600V - 3 Phase

6 Gallon Part No.	16 Gallon Part No.	Total kW	Elements			Contactor			Transformer	Power Distribution Block		Wiring Diagram	Total Heater Amps	Relief Valve P/N
			No. of Pcs.	Wattage	Part Number	No. Pcs.	Amps (resistive)	Part Number	600-195V P/N	Size	Part Number			
J66T6	J166T6	6.2	3	2090 (a)	C1315-26	1	20	C25DNF315B	B050-3350-3	-	-	14	6.0	100XL .75 150LB
J67T6	J167T6	7	3	2353 (b)	C1315-27	1	20	C25DNF315B	B050-3350-3	-	-	14	6.8	100XL .75 150LB
J69T6	J169T6	9.4	3	3137 (c)	C1315-29	1	20	C25DNF315B	B050-3350-3	-	-	14	9.1	100XL .75 150LB
J610T6	J1610T6	10.5	3	3527 (d)	C1315-35	1	20	C25DNF315B	B050-3350-3	-	-	14	10.2	100XL .75 150LB
J612T6	J1612T6	11.8	3	3920 (e)	C1315-31	1	20	C25DNF315B	B050-3350-3	-	-	14	11.3	100XL .75 150LB
J613T6	J1613T6	12.5	3	4160 (f)	C1315-11	1	20	C25DNF315B	B050-3350-3	-	-	14	12.0	100XL .75 150LB
J615T6	J1615T6	16.6	3	5540 (g)	C1315-2	1	20	C25DNF315B	B050-3350-3	-	-	14	16.0	100XL .75 150LB
J618T6	J1618T6	18.8	3	6270 (h)	C1315-12	1	40	C25DNF330B	B050-3350-3	-	-	14	18.1	100XL .75 150LB
J624T6	J1624T6	23.5	6	3920 (e)	C1315-31	1	40	C25DNF330B	B050-3350-3	-	-	15	22.6	100XL .75 150LB
J627T6	J1627T6	25	6	4160 (f)	C1315-11	1	40	C25DNF330B	B050-3350-3	-	-	15	24.0	100XL .75 150LB
J630T6	J1630T6	33.2	6	5540 (g)	C1315-2	1	40	C25DNF330B	B050-3350-3	-	-	15	32.0	100XL .75 150LB
J636T6	J1636T6	37.6	6	6272 (h)	C1315-12	1	50	C25DNF340B	B050-3350-3	-	-	15	36.2	100XL .75 150LB
J639T6	J1639T6	37.6	6	6272 (h)	C1315-12	1	50	C25DNF340B	B050-3350-3	-	-	15	36.2	100XL .75 150LB
J640T6	J1640T6	37.6	6	6272 (h)	C1315-12	1	50	C25DNF340B	B050-3350-3	-	-	15	36.2	100XL .75 150LB
J645T6	J1645T6	43.9	6	7317 (j)	C1315-13	1	50	C25DNF340B	B050-3350-3	-	-	15	42.2	100XL .75 150LB
J654T6	J1654T6	56.4	6	9407 (k)	C1315-15	1	65	C25DNF350B	B050-3350-3	-	-	15	54.3	100XL .75 150LB
J658T6	J1658T6	56.4	6	9407 (k)	C1315-15	1	65	C25DNF350B	B050-3350-3	-	-	15	54.3	100XL .75 150LB
-	J1666T6	66	9	7317 (j)	C1315-13	1	75	C25FNF360B	B050-3350-3	175A, 3-Pole, 1-4	16220-3	18	63.4	40XL-4 1 150LB
-	J1685T6	85	9	9407 (k)	C1315-15	1	90	C25FNF375B	B050-3350-3	175A, 3-Pole, 1-4	16220-3	18	81.5	40XL-4 1 150LB

Misc. Electrical	Hubbell Part Number
Control Board	T1000
Digital Display Module	TD1000
Display Overlay	OVERLAY J MODEL
Probe Sensor	P65
Probe Thermo Well w/ Sensor	P65 WELL
24V Interlock Adapter	J1 Remote Adapter
J16 Ribbon Cable Adapter	J16 RIBBON CABLE

- (a) - Derated from 4000W @ 480V
- (b) - Derated from 4500W @ 480V
- (c) - Derated from 6000W @ 480V
- (d) - Derated from 6750W @ 480V
- (e) - Derated from 7500W @ 480V
- (f) - Derated from 2000W @ 240V

- (g) - Derated from 2000W @ 208V
- (h) - Derated from 3000W @ 240V
- (j) - Derated from 3500W @ 240V
- (k) - Derated from 4500W @ 240V

Accessories	
Description	Part No.
Brass Pressure Reducing Valve w/ By-Pass	N45BU
T&P Gauge	TTD405
Shock Absorber	Shock Absorber
Plastic Legs, set of 4 (4 Required)	61649NOBN5T4
Nickel Plated Legs (4 Required)	AE61-4002-C
Stainless Steel Adjustable Legs (4 Required)	A50-5048-C
Floor Mount Legs S/S (4 Required)	A50-9939-C
Slide Brackets (6 Gallon models only)	J6 Slide Bracket
Inlet/Outlet Nipple w/ Diffuser Assembly	J6 Diffuser
Protective Cover for J6 (4-18 KW)	J6-3 Shroud
Protective Cover for J6 (24-58 KW)	J6-6 Shroud
Protective Cover for J16	J16 Shroud
Water Treatment System (Blended Phosphate)	HBW-CLEAR
Replacement Cartridge for Water Treatment	RSC-10

## J4

Part No.	Voltage / Phase	Total kW	Elements			Contactor			Transformer		Wiring Diagram	Total Heater Amps	Relief Valve P/N
			No. of Pcs.	Element Wattage	Part Number	No. Pcs.	Amps (resistive)	Part Number	Part Number	Rating			
J411RS	208 / 1	11.3	3	3756 (a)	C1315-16	1	65	C25DNF350B	-	-	4	54.1	10L-2 150LB
J411RS	220 / 1	12.6	3	4200 (a)	C1315-16	1	65	C25DNF350B	-	-	4	57.3	10L-2 150LB
J411RS	230 / 1	13.8	3	4592 (a)	C1315-16	1	65	C25DNF350B	-	-	4	59.8	10L-2 150LB
J411RS	240 / 1	15	3	5000	C1315-16	1	65	C25DNF350B	-	-	4	62.5	10L-2 150LB
J411R	208 / 3	11.3	3	3756 (a)	C1315-16	1	65	C25DNF350B	-	-	10 (NT)	31.2	10L-2 150LB
J411R	220 / 3	12.6	3	4200 (a)	C1315-16	1	65	C25DNF350B	-	-	10 (NT)	33.1	10L-2 150LB
J411R	230 / 3	13.8	3	4592 (a)	C1315-16	1	65	C25DNF350B	-	-	10 (NT)	34.5	10L-2 150LB
J411R	240 / 3	15	3	5000	C1315-16	1	65	C25DNF350B	-	-	10 (NT)	36.1	10L-2 150LB
J427T4	480 / 3	27	3	9000	N2375-32	1	40	C25DNF330B	B050-3299-3	480 / 208	10 (WT)	32.5	10L-2 150LB
J427R	208 / 3	27	3	9000	N2375-9	1	90	C25FNF375B	-	-	10 (NT)	75.0	10L-2 150LB
J427T	240 / 3	27	3	9000	N2375-20	1	75	C25FNF360B	-	-	10 (NT)	65.0	10L-2 150LB

Misc. Electrical	Hubbell Part Number
Control Board	T1000
Digital Display Module	TD1000
Probe Sensor	P65
Probe Thermo Well w/ sensor	P65 WELL
24V Interlock Adapter	J1 Remote Adapter

(a) - Derated from 5000W @ 240V

Accessories	
Description	Part No.
Brass Pressure Reducing Valve w/ By-Pass	N45BU
T&P Gauge	TTD405
Shock Absorber	Shock Absorber
Plastic Legs, set of 4 (4 Required)	61649NOBN5T4
Nickel Plated Legs (4 Required)	AE61-4002-C
Stainless Steel Adjustable Legs (4 Required)	A50-5048-C
Floor Mount Legs S/S (4 Required)	A50-9939-C
Inlet/Outlet Nipple with Diffuser	J6 Diffuser
Water Treatment System (Blended Phosphate)	HBW-CLEAR
Replacement Cartridge for Water Treatment	RSC-10



J3

Part No.	Voltage / Phase	Total kW	Elements			Contactor			Transformer		Wiring Diagram	Total Heater Amps	Relief Valve P/N
			No. of Pcs.	Element Wattage	Part Number	No. Pcs.	Amps (resistive)	Part Number	Part Number	Rating			
J35.7A	120 / 1	5.7	3	1900	C1315-39	1	65	C25DNF350A	-	-	4	47.5	100XL .75 150LB
J32.9A	120 / 1	2.9	3	950 (a)	C1315-37	1	40	C25DNF330A	-	-	4	23.8	100XL .75 150LB
J39.9RS	208 / 1	9.9	3	3300	C1315-40	1	65	C25DNF350B	-	-	4	47.6	100XL .75 150LB
J310.4RS	208 / 1	10.4	3	3460	C1315-36	1	65	C25DNF350B	-	-	4	51.9	100XL .75 150LB
J311.4S	240 / 1	11.4	3	3800	C1315-37	1	65	C25DNF350B	-	-	4	47.5	100XL .75 150LB
J311.4W	277 / 1	11.4	3	3800	C1315-38	1	50	C25DNF340B	TRANS 277:208	277 / 208, 40VA	4 (WT)	41.2	100XL .75 150LB
J39.9R	208 / 3	9.9	3	3300	C1315-40	1	40	C25DNF330B	-	-	10 (NT)	27.5	100XL .75 150LB
J310.4R	208 / 3	10.4	3	3460	C1315-36	1	40	C25DNF330B	-	-	10 (NT)	28.8	100XL .75 150LB
J311.4T	240 / 3	11.4	3	3800	C1315-37	1	40	C25DNF330B	-	-	10 (NT)	27.4	100XL .75 150LB
J311.4T3	380 / 3	11.4	3	3800 (b)	C1315-36	1	20	C25DNF315B	B050-3351-3	380 / 208, 40VA	14	16.8	100XL .75 150LB
J311.4T7	415 / 3	11.4	3	3800	C1315-37	1	20	C25DNF315B	B050-3299-3	415 / 208, 40VA	14	15.9	100XL .75 150LB
J311.4T4	480 / 3	11.4	3	3800	C1315-38	1	20	C25DNF315B	B050-3299-3	480 / 208, 40VA	14	13.7	100XL .75 150LB
J311.4T6	600 / 3	11.4	3	3800	C1315-41	1	20	C25DNF315B	B050-3350-3	600 / 208, 40VA	14	11.0	100XL .75 150LB

Misc. Electrical	Hubbell Part Number
Control Board	T1000
Digital Display Module	TD1000
Display Overlay	OVERLAY J MODEL
Probe Sensor	P65
Probe Thermo Well w/ Sensor	P65 WELL
24V Interlock Adapter	J1 REMOTE ADAPTER

- (a) - Derated from 3800W @ 240V
- (b) - Derated from 3460W @ 208V

Accessories	
Description	Part No.
Brass Pressure Reducing Valve w/ By-Pass	N45BU
T&P Gauge	TTD405
Shock Absorber	Shock Absorber
Plastic Legs, set of 4 (4 Required)	61649NOBN5T4
Nickel Plated Legs (4 Required)	AE61-4002-C
Stainless Steel Adjustable Legs (4 Required)	A50-5048-C
Floor Mount Legs S/S (4 Required)	A50-9939-C
Water Treatment System (Blended Phosphate)	HBW-CLEAR
Replacement Cartridge for Water Treatment	RSC-10